

## MICROPROCESSOR CRYSTAL SPECIFICATION

### General Information

Product Type: HC-49/U  
 Package Type: **EZXTA**  
 Part No.: EZXTA-Frequency

### Electrical Specifications

Frequency: 1.800MHz to 180.000MHz  
 Oscillation Mode: Fundamental, 3rd, 5th Overtone  
 Calibration Frequency Tolerance:  $\pm 10\text{ppm} \sim \pm 50\text{ppm} @ 25^\circ\text{C}$   
 Frequency Stability over Temp.:  $\pm 10\text{ppm} \sim \pm 50\text{ppm}$   
 Operating Temperature:  $0\sim+70^\circ\text{C}$ ,  $-40\sim+85^\circ\text{C}$ ,  $-55\sim+125^\circ\text{C}(\text{Option})$   
 Storage Temperature:  $-55^\circ\text{C} \sim +125^\circ\text{C}$   
 Load Capacitance: 10 TO 32pF OR Series  
 Shunt Capacitance: 7pF Max  
 Equivalent Series Resistance: 20~400 Ohms Max  
 Drive Level: 50 $\mu\text{W}$  Typical, 1mW Max  
 Aging:  $\pm 3.0\text{ppm}$  per year Max

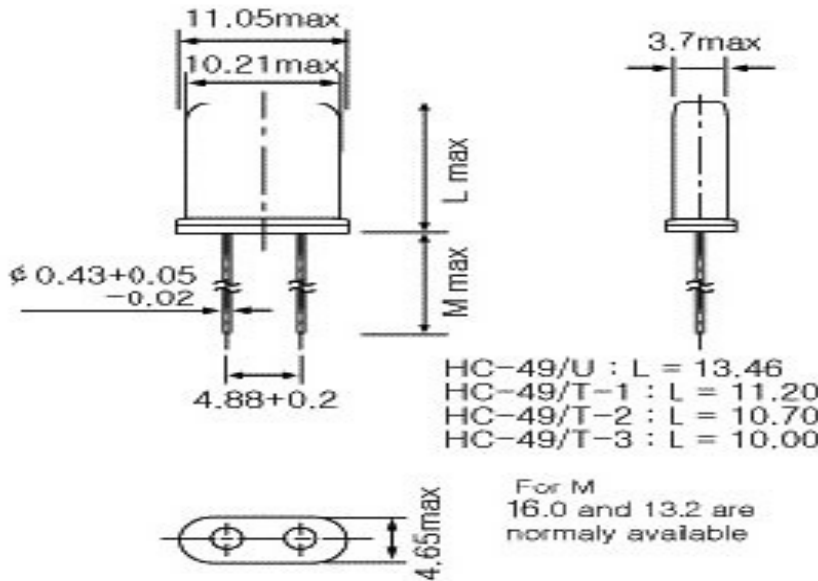
### Package Dimensions

L x W x H  
 11.05 x 4.65 x 13.46mm

### Marking

Line 1 Frequency  
 Line 2 Series  
 Line 3 EZT & datecode

8.000  
 EZXTA  
 EZT YYWW



### EZTeck

Room#502, V-Charmant Building, 1601-1  
 Seocho-Dong, Seocho-Gu, Seoul, Korea  
 Phone : +82 2 582 1982 Fax : +82 2 582 1984

DWG. No.: EZXTA-2011

REV.:

DATE:

BY: Richard Lee

PAGE: 1 of 1

APPROVAL: