

# (VOLTAGE CONTROLLED) TEMP. COMPENSATED OSCILLATOR SPECIFICATION

## General Information

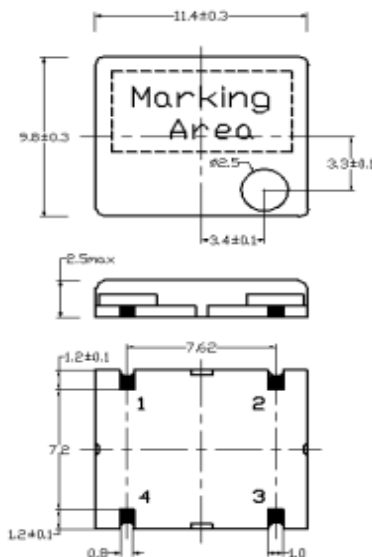
Product Type: TCXO=TX, VCTCXO=VX  
 Package Type: **ETXF**  
 Part No.: Freq.-Series-EZT & datecode

## Electrical Specifications

Frequency: 2~30MHz  
 Supply Voltage: 3.3V / 5.0V  
 Load: TTL2, 10KOhm//10pF  
 Operation Temp.: Up to -30°C to +80°C  
 Frequency Stability over Temp.:  $\pm 2.0\sim 5.0$  ppm max  
 Frequency Stability vs.Volt:  $\pm 0.5$  ppm max  
 Frequency Stability vs.Load:  $\pm 0.2$  ppm max  
 Aging:  $\pm 1.0$ /First year  
 Tolerance@25C:  $\pm 0.5$  ppm max  
 Output Level: TTL, HCMOS / 0.7~1.0  
 Output Waveform: Rectangular, Clipped sine wave  
 Supply Current: 20.0, 2.0mA Max  
 Frequency adjustment:  $\pm 3.0$ ppm Min(by internal trimmer)  
 Frequency Deviation(VX)  $\pm 5\sim 15$ ppm  
 Control voltage(Vcon):  $1.65\pm 1.5V, 2.5V\pm 2.0V$

## Package Dimensions

L x W x H  
 11.4 x 9.8 x 2.5mm



## Marking

Line 1 Frequency  
 Line 2 Series  
 Line 3 EZT & date code

20.000
ETXF
EZT 401

Pin	F2/ F2T	F4
1	GND	NC(TX), Vc(VX)
2	GND	GND
3	Output	Output
4	GND	Vcc
5	NC/Vc	
6	Vcc	

## EZTeck

Room#502, V-Charmant Building, 1601-1  
 Seocho-Dong, Seocho-Gu, Seoul,Korea  
 Phone : +82 2 582 1982 Fax : +82 2 582 1984

DWG. No.: ETXF-04

REV.:

DATE:

BY: Richard Lee

PAGE: 1 of 1

APPROVAL: